

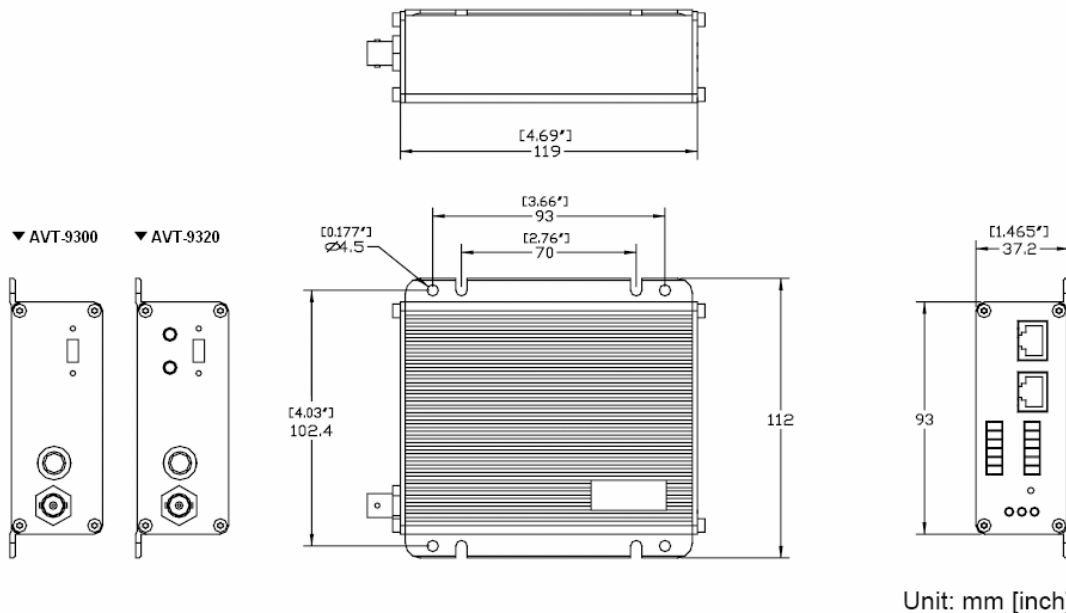


AVT-9300 Series MPEG-4 Video Transcoder with 2-Way Audio Option



Main Features:

- Up to full D1 MPEG-4 video decoding at 30/25 FPS
- QoS enabled (L3) video streaming
- Dual MPEG-4 video stream input via LAN or WAN (PPPoE supported) ports at the same time
- Digital time code retrieved
- Connect/auto switching more than one video server is controllable
- Bi-directional audio supported (for AVT-9320 only)



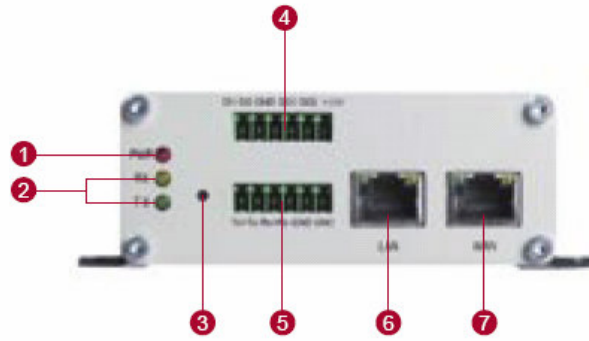
Receive digital data and decode to analog image without lose quality

The AVT-9300/9320 are high resolution, Ethernet (LAN and WAN) ready digital video transcoder with bi-directional audio supported (AVT-9320). Via an Ethernet network such as LAN or WAN, the AVT-9300/9320 take a MPEG-4 stream from a specific AUVISS IP camera or video server, and convert it in real-time with high quality analog video signals and audio signals. This allows analog video devices such as TV system, analog monitors or existing analog video switches to be connected to an AUVISS IP-base video system.

Product Specification

		AVT-9300	AVT-9320
Video Compression)	Compression	MPEG-4 ASP decoding	
	Picture Resolution	Full D1 (720 x 480 in NTSC, 720 x 576 in PAL); CIF (352 x 240 in NTSC, 352 x 288 in PAL)	
	Image Frame Rate	30 fps at full D1 resolution (NTSC); 25 fps at full D1 resolution (PAL)	
Video Output	Composite Output	CVBS, 1.0Vp-p with 75 Ω loading, BNC connector; Y/C, 1.0Vp-p with 75 Ω loading/0.286Vp-p with 75 Ω loading, S connector	
Audio Input	Compression	N/A	8 kHz, Mono, PCM
	Audio Line Input	N/A	Unbalanced, 1.4 Vp-p, 1Vrms, 3.5 mm Jack
Audio Output	Compression	N/A	8 kHz, Mono, PCM
	Audio Line Output	N/A	Unbalanced, 1.4Vp-p, 1Vrms, 3.5 mm Jack
Alarm	Input	2, TTL, terminal block	
	Output	2, TTL, terminal block	
Remote Control	Serial Port	RS-485: half Duplex, terminal Block; RS-422: full Duplex, terminal Block; RS-232: full Duplex, terminal Block	
External I/O	Reset Button	Factory default	
	LED	System status	
Network	LAN Port	Ethernet(10/100 Base-T), RJ-45 connector	
	WAN Port	Ethernet(10/100 Base-T), RJ-45 connector	
	Protocol	TCP, UDP, IP, HTTP, DHCP, PPPoE, RTP, RTSP	
Software	Web Browser	Microsoft Internet Explorer 6.0 or above	
	SDK	ActiveX control, C SDK	
	Security	Password Protection : configured by the administrator	
Operating	Temperature	5 ~ 50 $^{\circ}$ C (40 ~ 122 $^{\circ}$ F)	
Power	Power Requirement	DC 12 V \pm 10%	
	Power Consumption	7.5 W	
Physical	Dimensions (WxHxD)	112 mm x 37.2 mm x 119 mm (4.41" x 1.46" x 4.68")	
	Weight-Net	350g (0.66lb)	

I/O Port, Switches Diagram



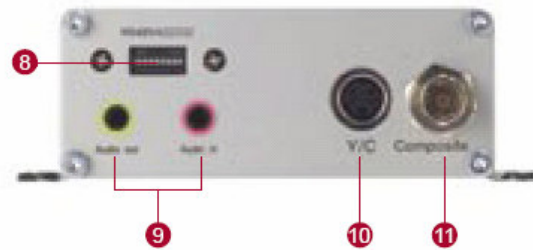
- 1 Power LED
- 2 Serial port LED
- 3 Reset button
- 4 Digital input & digital output
- 5 Serial port & power DC input
- 6 LAN port
- 7 WAN port

AVT-9300



- 8 Serial port setting
- 9 Audio input / output
- 10 Analog video output (Y/C)
- 11 Analog video output (Composite)

AVT-9320 With audio



- 8 Serial port setting
- 9 Audio input / output
- 10 Analog video output (Y/C)
- 11 Analog video output (Composite)

Ordering Information

Model Name	Real Time	w/Audio
AVT-9300	V	
AVT-9320	V	V