








AK Series Color CCD Camera

Quick Reference and Ordering Guide:

Photo	Ordering P/N	Description	Page
	AKT-200(N/P)	Box Type , 3 function switches, 420TVL , DC12V (Sharp)	2
	AKT-350(N/P)	Box Type , 3 function switches, 520TVL , DC12V (Sony)	3
	AKT-350U(N/P)	Box Type , 3 function switches, 520TVL , AC90-260V (Sony)	3
	AKT-350DN(N/P)	Box Type D/N Camera , 3 function switches, 520TVL , DC12V (Sony)	3
	AKD-200(N/P)-3X	Fixed Dome Type , 420TVL , f=3.6mm lens, DC12V (Sharp)	4
	AKV-200(N/P)-V49	Varifocal Dome Type , 420TVL , f=4-9mm A/I Varifocal lens, DC12V (Sony)	5
	AKD-350(N/P)-3X	Fixed Dome Type , 3 function switches, 520TVL , f=3.6mm lens, DC12V, 3 Axis Mechanism (Sony)	6
	AKV-350(N/P)-V39	Varifocal Dome Type , 3 function switches, 520TVL , f=3~9mm A/I Varifocal lens, DC12V, 3 Axis Mechanism (Sony)	6
	AKR-200(N/P)-3X	Vandal Dome Type , 420TVL , f=3.6mm lens, IP66, DC12V (Sony)	7
	AKR-200(N/P)-V49	Vandal Dome Type , 420TVL , f=4~9mm A/I Varifocal lens, IP66, DC12V (Sony)	7
	AKR-350(N/P)-3X	Vandal Dome Type , 3 function switches, 520TVL , f=3.6mm lens, IP66, DC12V, 3 Axis Mechanism (Sony)	8
	AKR-350(N/P)-V39	Vandal Dome Type , 3 function switches, 520TVL , f=3~9mm A/I Varifocal lens, IP66, DC12V, 3 Axis Mechanism (Sony)	8

Auviss Technology Co., Ltd

7F-1, No.240, Sec.2, Da-Tung Rd, Sijhih City, Taipei County, Taiwan

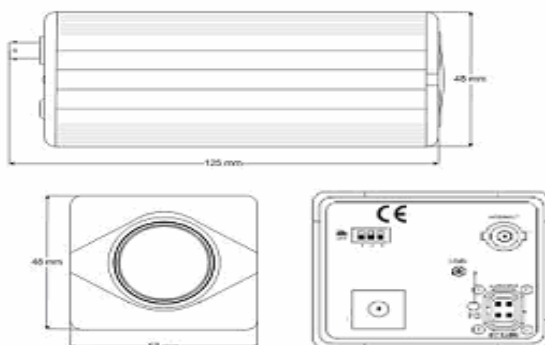
Tel: +886-2-8691-9370

Fax: +886-2-8691-9310

Email: marketing@auviss.com

Website: www.auviss.com

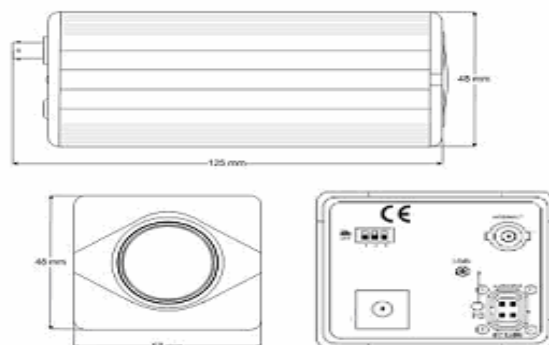
Box Type Color CCD Camera



Specification

Model	AKT-200N	AKT-200P
Image Device	1/3" SHARP CCD	
Total Pixels	NTSC: 510 (H) × 492 (V)	PAL: 500 (H) × 582 (V)
Scanning Frequency	NTSC: 15734Hz (H), 60Hz (V)	PAL: 15625Hz (H), 50Hz (V)
Sync. System	Internal Sync., 2:1 Interlace	
Resolution	420 TV lines	
Minimum Illumination	0.3 Lux (F1.2)	
Electronic Shutter	AES ON: 1/60(50) ~ 1/100,000 sec, AES OFF: 1/60(50)sec,	
Backlight Compensation	ON/OFF	
S/N Ratio	More than 48dB	
Gamma Correction	0.45	
Flickerless	N/A	
Auto Gain Control	Auto	
Auto IRIS Control	VD/ DD (Switchable)	
White Balance	Auto	
Mirror	ON/OFF	
Line Lock	N/A	
Video Output	1.0Vp-p75Ω	
Lens Mount	CS/C Mount	
Power Supply	DC 12V/ 150mA	
Power Consumption	DC 12V/ 2.5W or 90-264V/ 3.5W (Optional)	
Operating Temperature	-10°C ~ +50°C	
Operating Humidity	< 85%RH (no condensation)	
Outline Dimension (mm)	125 (D) x 55 (W) x 47 (H) mm	
Weight (g)	DC 12V/ 250g or AC 24V/ 420g (Optional)	

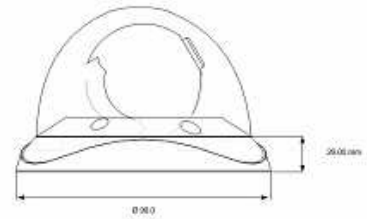
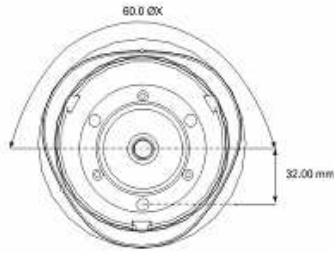
High-Resolution Box Type Color CCD Camera



Specification

Model	AKT-350N	AKT-350P	AKT-350DNN	AKT-350DNP
Image Device	High Res. CCD With SONY DSP			
Total Pixels	768 (H) × 494 (V)	752 (H) × 582 (V)	768 (H) × 494 (V)	752 (H) × 582 (V)
Scanning Frequency	15734Hz(H) 60Hz(V)	15625Hz(H) 50Hz(V)	15734Hz(H) 60Hz(V)	15625Hz(H) 50Hz(V)
Sync. System	Internal Sync., 2:1 Interlace			
Resolution	520 TV lines			
Minimum Illumination	0.05 Lux (F1.2)			
Day/ Night Function	N/A		Auto	
Electronic Shutter	AES ON: 1/60(50) ~ 1/100,000 sec, AES OFF: 1/60(50)sec,			
Backlight Compensation	ON/OFF			
S/N Ratio	More than 50dB			
Gamma Correction	0.45			
Flickerless	N/A			
Auto Gain Control	ON/OFF			
Auto IRIS Control	DD Lens			
White Balance	Auto			
Mirror	N/A			
Line Lock	N/A			
Video Output	1.0Vp-p75Ω			
Lens Mount	CS/C Mount			
Power Supply	DC 12V/ 150mA			
Power Consumption	DC 12V/ 2.5W or 90-264V/ 3.5W (Optional)			
Operating Temperature	- 10°C ~ + 50°C			
Operating Humidity	< 85%RH (no condensation)			
Outline Dimension (mm)	125 (D) x 55 (W) x 47 (H) mm			
Weight (g)	DC 12V/ 250g or AC 90-260V/ 360g (Optional)			

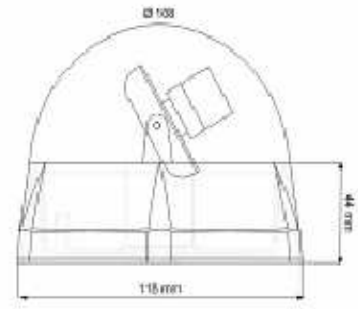
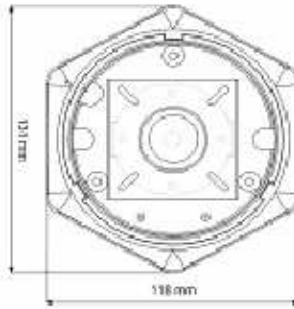
Dome Type Color CCD Camera



Specification

Model	AKD-200N-3X	AKD-200P-3X
Image Device	1/3" SHARP CCD	
Total Pixels	510 (H) × 492 (V)	500 (H) × 582 (V)
Scanning Frequency	15734Hz (H), 60Hz (V)	15625Hz (H), 50Hz (V)
Sync. System	Internal Sync., 2:1 Interlace	
Resolution	420 TV lines	
Minimum Illumination	0.3 Lux (F1.2)	
Electronic Shutter	Auto: 1/60(50) ~ 1/100,000 sec	
Backlight Compensation	Auto	
S/N Ratio	More than 48dB	
Gamma Correction	0.45	
Flickerless	N/A	
Auto Gain Control	Auto	
Auto IRIS Control	N/A	
White Balance	Auto	
Mirror	N/A	
Line Lock	N/A	
Video Output	1.0Vp-p75Ω	
Lens Mount	3.6mm Board Lens (4/6/8/12mm Optional)	
Power Supply	DC 12V/ 125mA	
Power Consumption	DC 12V/ 2.5W	
Operating Temperature	-10°C ~ +50°C	
Operating Humidity	< 85%RH (no condensation)	
Outline Dimension (mm)	98.5 (Ø) x 66 (H) mm	
Weight (g)	190g	

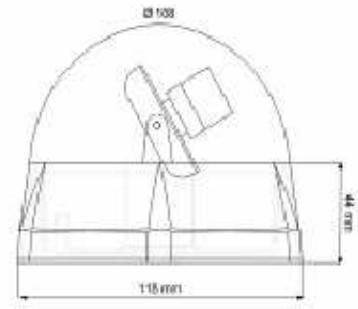
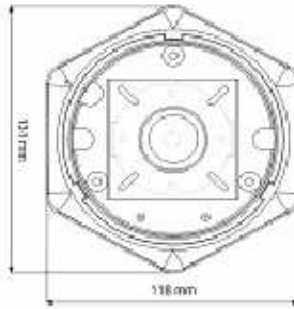
Vari-Focal Dome Type Color CCD Camera



Specification

Model	AKV-200N-V49	AKV-200P-V49
Image Device	1/3" SONY Super HAD CCD	
Total Pixels	NTSC: 510 (H) × 492 (V)	PAL: 500 (H) × 582 (V)
Scanning Frequency	NTSC: 15734Hz (H), 60Hz (V)	PAL: 15625Hz (H), 50Hz (V)
Sync. System	Internal Sync., 2:1 Interlace	
Resolution	420 TV lines	
Minimum Illumination	0.1 Lux (F1.2)	
Mechanical Design	2-Axis	
Electronic Shutter	Auto: 1/60(50) ~ 1/100,000 sec	
Backlight Compensation	Auto	
S/N Ratio	More than 48dB	
Gamma Correction	0.45	
Flickerless	N/A	
Auto Gain Control	Auto	
Auto IRIS Control	Auto	
White Balance	Auto	
Mirror	N/A	
Line Lock	N/A	
Video Output	1.0Vp-p75Ω	
Lens Mount	Build-in 4-9 mm Auto IRIS Vari-focal Lens	
Power Supply	DC 12V/ 125mA	
Power Consumption	DC 12V/ 2.5W	
Operating Temperature	- 10°C ~ +50°C	
Operating Humidity	< 85%RH (no condensation)	
Outline Dimension (mm)	150 (∅) x 80 (H) mm	

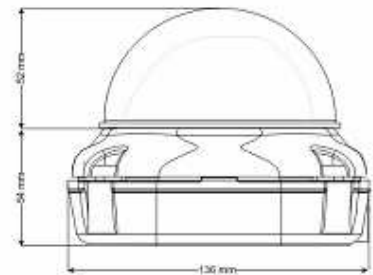
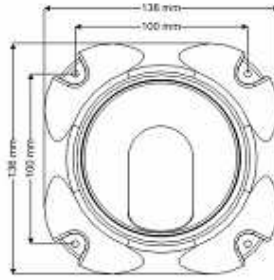
High-Resolution Dome Type Color CCD Camera



Specification

Model	AKD-350N-3X	AKD-350P-3X	AKD-350N-V39	AKD-350P-V39
Image Device	High Res. CCD With SONY DSP			
Total Pixels	768 (H) × 494 (V)	752 (H) × 582 (V)	768 (H) × 494 (V)	752 (H) × 582 (V)
Scanning Frequency	15734Hz(H) 60Hz(V)	15625Hz(H) 50Hz(V)	15734Hz(H) 60Hz(V)	5625Hz(H) 50Hz(V)
Sync. System	Internal Sync., 2:1 Interlace			
Resolution	520 TV lines			
Minimum Illumination	0.05 Lux (F1.2)			
Mechanical Design	3-Axis			
Electronic Shutter	AES ON: 1/60(50) ~ 1/100,000 sec, AES OFF: 1/60(50)sec,			
Backlight Compensation	ON/OFF			
S/N Ratio	More than 50dB			
Gamma Correction	0.45			
Flickerless	N/A			
Auto Gain Control	ON/OFF			
Auto IRIS Control	Auto			
White Balance	Auto			
Mirror	N/A			
Line Lock	N/A			
Video Output	1.0Vp-p75Ω			
Lens Mount	3.6mm Board Lens (4/6/8/12mm Optional)		Build-in 3-9mm (F1.2) Auto IRIS Vari-focal Lens, 9~22mm (F1.4) Optional	
Power Supply	DC 12V/ 125mA			
Power Consumption	DC 12V/ 2.5W			
Operating Temperature	- 10°C ~ +50°C			
Operating Humidity	< 85%RH (no condensation)			
Outline Dimension (mm)	150 (Ø) x 80 (H) mm			
Weight (g)	300g			

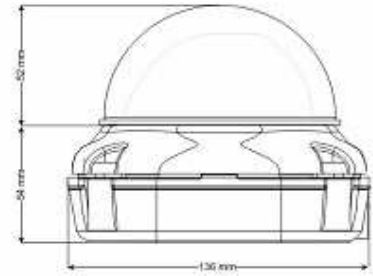
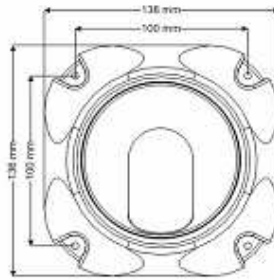
Vandal Dome Type Color CCD Camera



Specification

Model	AKR-200N-3X	AKR-200P-3X	AKR-200N-V49	AKR-200P-V49
Image Device	1/3" SONY Super HAD CCD			
Total Pixels	NTSC: 510 (H) x 492 (V)		PAL: 500 (H) x 582 (V)	
Scanning Frequency	NTSC: 15734Hz (H), 60Hz (V)		PAL: 15625Hz (H), 50Hz (V)	
Sync. System	Internal Sync., 2:1 Interlace			
Resolution	420 TV lines			
Minimum Illumination	0.1 Lux (F1.2)			
Mechanical Design	2-Axis			
Electronic Shutter	Auto: 1/60(50) ~ 1/100,000 sec			
Backlight Compensation	Auto			
S/N Ratio	More than 48dB			
Gamma Correction	0.45			
Flickerless	N/A			
Auto Gain Control	Auto			
Auto IRIS Control	Auto			
White Balance	Auto			
Mirror	N/A			
Line Lock	N/A			
Video Output	1.0Vp-p75Ω			
Lens Mount	3.6mm Board Lens (4/6/8/12mm Optional)		Build-in 4-9mm (F1.2) Auto IRIS Vari-focal Lens	
Power Supply	DC 12V/ 125mA			
Power Consumption	DC 12V/ 2.5W			
Operating Temperature	-10°C ~ +50°C			
Operating Humidity	< 85%RH (no condensation)			
Outline Dimension (mm)	136 (Ø) x 106 (H) mm			
Weight (g)	700g			

High-Resolution Vandal Dome Type Color CCD Camera



Specification

Model	AKR-350N-3X	AKR-350P-3X	AKR-350N-V39	AKR-350P-V39
Image Device	High Res. CCD With SONY DSP			
Total Pixels	768 (H) x 494 (V)	752 (H) x 582 (V)	768 (H) x 494 (V)	752 (H) x 582 (V)
Scanning Frequency	15734Hz(H) 60Hz(V)	15625Hz(H) 50Hz(V)	15734Hz(H) 60Hz(V)	15625Hz(H) 50Hz(V)
Sync. System	Internal Sync., 2:1 Interlace			
Resolution	520 TV lines			
Minimum Illumination	0.05 Lux (F1.2)			
Mechanical Design	3-Axis			
Electronic Shutter	AES ON: 1/60(50) ~ 1/100,000 sec, AES OFF: 1/60(50)sec,			
Backlight Compensation	ON/OFF			
S/N Ratio	More than 50dB			
Gamma Correction	0.45			
Flickerless	N/A			
Auto Gain Control	ON/OFF			
Auto IRIS Control	Auto			
White Balance	Auto			
Mirror	N/A			
Line Lock	N/A			
Video Output	1.0Vp-p75Ω			
Lens Mount	3.6mm Board Lens (4/6/8/12mm Optional)	Build-in 3-9mm (F1.2) Auto IRIS Vari-focal Lens, 9 ~ 22mm (F1.4) Optional		
Power Supply	DC 12V/ 130mA (DC 12V/ AC 24V Dual Power Optional)			
Power Consumption	DC 12V/ 2.5W			
Heater	Optional			
Operating Temperature	- 10°C ~ + 50°C			
Operating Humidity	< 85%RH (no condensation)			
Outline Dimension (mm)	136 (Ø) x 106 (H) mm			
Weight (g)	700g			