



AIR-K Series Day/ Night IR Camera

Quick Reference and Ordering Guide:

Photo	Ordering P/N	Description	Page
	AIR-K100BT(N/P)-6X	Outdoor IR Box Camera, Color 420TVL, IP66, 0Lux(LED on), 10M IR distance, f=6mm Lens (Optional 4/8mm lens), 12VDC, With bracket (Sharp)	2
	AIR-K200BT(N/P)-6X	Outdoor IR Box Camera, Color 420TVL, IP67, 0Lux(LED on), 20M IR distance, f=6mm Lens (Optional 4/8mm lens), 12VDC, With bracket (Sharp)	3
	AIR-K250BTH(N/P)-6X	Outdoor IR Box Camera, Color 520TVL, IP66, 0Lux(LED on), 20M IR distance, f=6mm Lens (Optional 4/8mm lens), With bracket, 12VDC (Sony)	4
	AIR-K100FD(N/P)-6X	Indoor IR Dome Camera, Color 420TVL, 0Lux(LED on), 10M IR distance, f=6mm Lens (Optional 4/8mm lens), 12VDC (Sharp)	5
	AIR-K250RDH(N/P)-6X	Outdoor Vandal Dome IR Camera, IP66, 10M IR distance, 520TVL, f=6mm Lens (Optional 4/8mm lens, Heater), 12VDC (Sony)	6
	AIR-K250RDH(N/P)-V39	Outdoor Vandal Dome IR Camera, IP66, 20M IR distance, 520TVL, 3 function switches, f=3~9mm A/I Varifocal Lens, 3Axis Mechanism, 12VDC (Sony)	6
	AIR-K300BT(N/P)-6X	Outdoor IR Box Camera, IP67, 420TVL, 20~30M IR distance, W/6mm board lens (Optional 16mm lens), 12VDC (Sony)	7
	AIR-K350BTH(N/P)-6X	Outdoor IR Box Camera, IP67, 520TVL, 20~30M IR distance, W/6mm board lens (Optional 16mm lens), 12VDC (Sony)	7
	AIR-K600BT(N/P)-12X	Outdoor IR Box Camera, IP67, 420TVL, 40~60M IR distance, W/12mm board lens (Optional 16mm lens), 12VDC (Sony)	8
	AIR-K650BTH(N/P)-12X	Outdoor IR Box Camera, IP67, 520TVL, 40~60M IR distance, W/12mm board lens (Optional 16mm lens), 12VDC (Sony)	8

Auviss Technology Co., Ltd

7F-1, No.240, Sec.2, Da-Tung Rd, Sijhih City, Taipei County, Taiwan

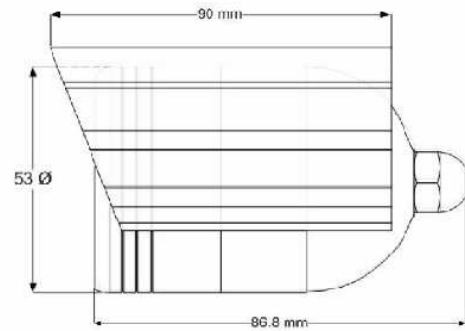
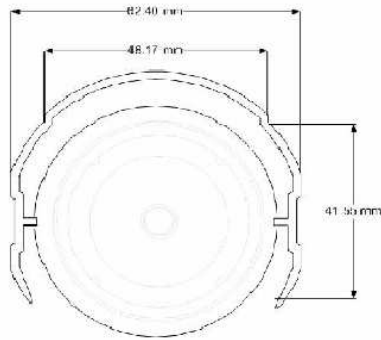
Tel: +886-2-8691-9370

Fax: +886-2-8691-9310

Email: marketing@auviss.com

Website: www.auviss.com

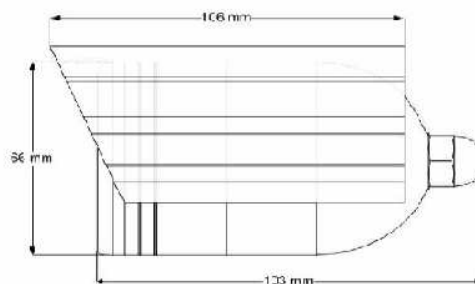
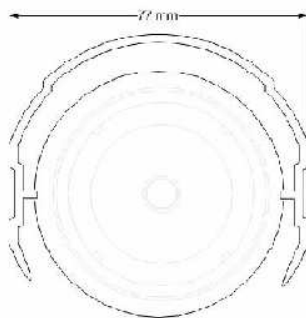
Outdoor Box Type IR D/N Camera



Specification

Model	AIR-K100BTN-6X	AIR-K100BTP-6X
Image Device	1/3" SHARP CCD	
Total Pixels	NTSC: 510 (H) × 492 (V)	PAL: 500 (H) × 582 (V)
Scanning Frequency	NTSC: 15734Hz (H), 60Hz (V)	PAL: 15625Hz (H), 50Hz (V)
Sync. System	Internal Sync., 2:1 Interlace	
Resolution	420 TV lines	
Minimum Illumination	0.5 Lux (IR Off); 0 Lux (IR On), Color mode change to B/W mode under 5 Lux	
IR LED / Wavelength	12 Unit IR-LED, 850nm	
IR Working Distance	10M	
Water Resistant	IP 66	
Electronic Shutter	Auto	
Backlight Compensation	Auto	
S/N Ratio	More than 48dB	
Gamma Correction	0.45	
Auto Gain Control	Auto	
White Balance	Auto	
Video Output	1.0Vp-p75Ω	
Lens Mount	6.0 mm Board Lens (4/8/12mm Optional)	
Power Supply	DC 12V/ 150mA (IR Off); DC 12V/ 220mA (IR On)	
Power Consumption	2W (IR Off); 3W (IR On)	
Operating Temperature	-10°C ~ +50°C	
Operating Humidity	< 85%RH (no condensation)	
Outline Dimension (mm)	53 (Ø) x 87 (H) mm	
Weight (g)	500g	

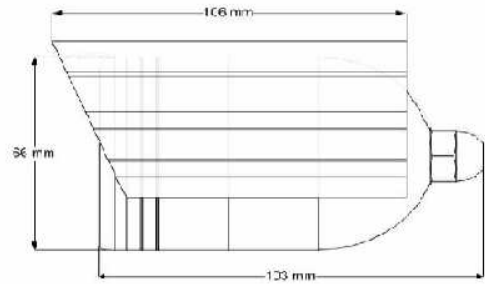
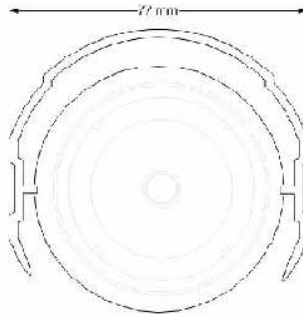
Outdoor 20M Box Type IR D/N Camera



Specification

Model	AIR-K200BTN-6X	AIR-K200BTP-6X
Image Device	1/3" SHARP CCD	
Total Pixels	NTSC: 510 (H) × 492 (V)	PAL: 500 (H) × 582 (V)
Scanning Frequency	NTSC: 15734Hz (H), 60Hz (V)	PAL: 15625Hz (H), 50Hz (V)
Sync. System	Internal Sync., 2:1 Interlace	
Resolution	420 TV lines	
Minimum Illumination	0.5 Lux (IR Off); 0 Lux (IR On), Color mode change to B/W mode under 5 Lux	
IR LED / Wavelength	30 Unit IR-LED, 850nm	
IR Working Distance	20M	
Water Resistant	IP 67	
Electronic Shutter	Auto	
Backlight Compensation	Auto	
S/N Ratio	More than 48dB	
Gamma Correction	0.45	
Auto Gain Control	Auto	
White Balance	Auto	
Video Output	1.0Vp-p75Ω	
Lens Mount	6.0 mm Board Lens (4/8/12mm Optional)	
Power Supply	DC 12V/ 150mA (IR Off); DC 12V/ 420mA (IR On)	
Power Consumption	2W (IR Off); 6W (IR On)	
Operating Temperature	-10°C ~ +50°C	
Operating Humidity	< 85%RH (no condensation)	
Outline Dimension (mm)	66 (Ø) x 103 (H) mm	
Weight (g)	600g	

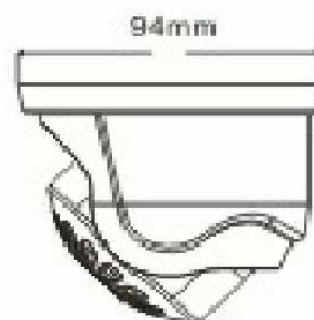
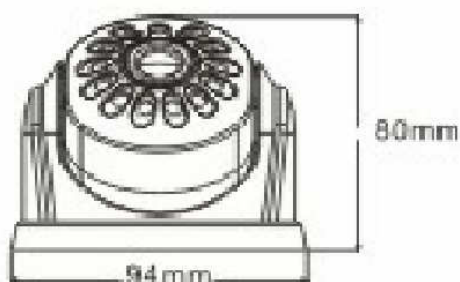
Outdoor High-Resolution 20M Box Type IR D/N Camera



Specification

Model	AIR-K250BTHN-6X	AIR-K250BTHP-6X
Image Device	High Res. CCD With SONY DSP	
Total Pixels	NTSC: 768 (H) × 494 (V)	PAL: 752 (H) × 582 (V)
Scanning Frequency	NTSC: 15734Hz(H) 60Hz(V)	PAL: 15625Hz (H), 50Hz (V)
Sync. System	Internal Sync., 2:1 Interlace	
Resolution	520 TV lines	
Minimum Illumination	0.05 Lux (IR Off); 0 Lux (IR On), Color mode change to B/W mode under 5 Lux	
IR LED / Wavelength	30 Unit IR-LED, 850nm	
IR Working Distance	20M	
Water Resistant	IP 67	
Electronic Shutter	Auto	
Backlight Compensation	Auto	
S/N Ratio	More than 50dB	
Gamma Correction	0.45	
Auto Gain Control	Auto	
White Balance	Auto	
Video Output	1.0Vp-p75Ω	
Lens Mount	6.0 mm Board Lens (4/8/12mm Optional)	
Power Supply	DC 12V/ 150mA (IR Off); DC 12V/ 420mA (IR On)	
Power Consumption	2W (IR Off); 6W (IR On)	
Operating Temperature	- 10°C ~ +50°C	
Operating Humidity	< 85%RH (no condensation)	
Outline Dimension (mm)	66 (Ø) x 103 (H) mm	
Weight (g)	600g	

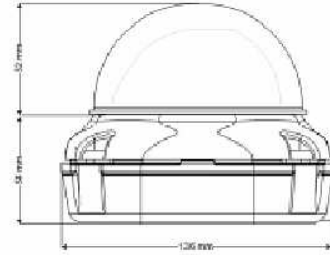
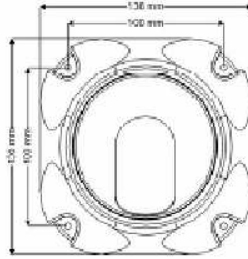
Indoor Dome Type IR D/N Camera



Specification

Model	AIR-K100FDN-6X	AIR-K100FDP-6X
Image Device	1/3" SHARP CCD	
Total Pixels	NTSC: 510 (H) × 492 (V)	PAL: 500 (H) × 582 (V)
Scanning Frequency	NTSC: 15734Hz (H), 60Hz (V)	PAL: 15625Hz (H), 50Hz (V)
Sync. System	Internal Sync., 2:1 Interlace	
Resolution	420 TV lines	
Minimum Illumination	0.5 Lux (IR Off); 0 Lux (IR On), Color mode change to B/W mode under 5 Lux	
IR LED / Wavelength	12 Unit IR-LED, 850nm	
IR Working Distance	10M	
Electronic Shutter	Auto	
Backlight Compensation	Auto	
S/N Ratio	More than 48dB	
Gamma Correction	0.45	
Auto Gain Control	Auto	
White Balance	Auto	
Video Output	1.0Vp-p75Ω	
Lens Mount	6.0 mm Board Lens (4/8/12mm Optional)	
Power Supply	DC 12V/ 150mA (IR Off); DC 12V/ 220mA (IR On)	
Power Consumption	2W (IR Off); 3W (IR On)	
Operating Temperature	- 10°C ~ +50°C	
Operating Humidity	< 85%RH (no condensation)	
Outline Dimension (mm)	95 (Ø) x 80 (H) mm	
Weight (g)	500g	

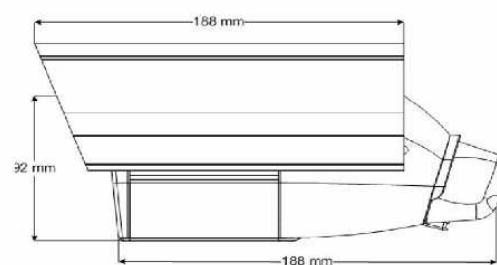
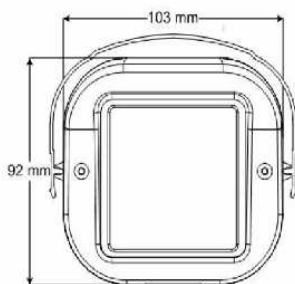
Outdoor High-Resolution Vandal Dome Type IR Camera



Specification

Model	AIR-K250RDHN-6X	AIR-K250RDHP-6X	AIR-K250RDHN-V39	AIR-K250RDHP-V39
Image Device	High Res. CCD With SONY DSP			
Total Pixels	768 (H) × 494 (V)	752 (H) × 582 (V)	768 (H) × 494 (V)	752 (H) × 582 (V)
Scanning Frequency	15734Hz(H) 60Hz(V)	15625Hz(H) 50Hz(V)	15734Hz(H) 60Hz(V)	15625Hz(H) 50Hz(V)
Sync. System	Internal Sync., 2:1 Interlace			
Resolution	520 TV lines			
Minimum Illumination	0.05 Lux (IR Off); 0 Lux (IR On), Color mode change to B/W mode under 5 Lux			
Mechanical Design	2-Axis		3-Axis	
Electronic Shutter	Auto		AES ON: 1/60(50) ~ 1/100,000 sec, AES OFF: 1/60(50)sec,	
Backlight Compensation	Auto		ON/OFF	
IR LED / Wavelength	12 Unit IR-LED, 850nm		24 Unit IR-LED, 850nm	
IR Working Distance	10M		20M	
Water Resistant	IP 66			
Backlight Compensation	Auto		ON/OFF	
S/N Ratio	More than 50dB			
Gamma Correction	0.45			
Auto Gain Control	Auto		ON/OFF	
White Balance	Auto			
Video Output	1.0Vp-p75Ω			
Lens Mount	6.0mm Board Lens (4/8/12mm Optional)		Build-in 3-9mm (F1.2) Auto IRIS Vari-focal Lens, 9~22mm (F1.4) Optional	
Power Supply	DC 12V/ 150mA (IR Off); DC 12V/ 420mA (IR On), (DC 12V/ AC 24V Dual Power Optional)			
Power Consumption	2W (IR Off); 5W (IR On)			
Heater	Optional			
Operating Temperature	-10°C ~ +50°C			
Operating Humidity	< 85%RH (no condensation)			
Outline Dimension (mm)	136 (Ø) x 106 (H) mm			
Weight (g)	750g			

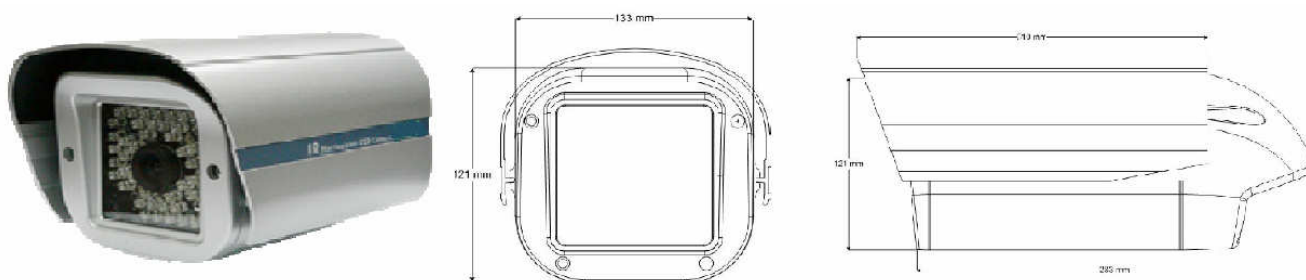
Outdoor 30M Box Type IR D/N Camera



Specification

Model	AIR-K300BTN-6X	AIR-K300BTP-6X	AIR-K350BTHN-6X	AIR-K350BTHP-6X
Image Device	1/3" SONY Super HAD CCD		High Res. CCD With SONY DSP	
Total Pixels	510 (H) × 492 (V)	500 (H) × 582 (V)	768 (H) × 494 (V)	752 (H) × 582 (V)
Scanning Frequency	15734Hz (H), 60Hz (V)	15625Hz (H), 50Hz (V)	15734Hz(H) 60Hz(V)	15625Hz(H) 50Hz(V)
Sync. System	Internal Sync., 2:1 Interlace			
Resolution	420 TV lines		520 TV lines	
Minimum Illumination	0.1 Lux (IR Off); 0 Lux (IR On), Color mode change to B/W mode under 5 Lux			
Electronic Shutter	Auto			
Backlight Compensation	Auto			
IR LED / Wavelength	48 Unit IR-LED, 850nm			
IR Working Distance	30M			
Water Resistant	IP 67			
Backlight Compensation	Auto			
S/N Ratio	More than 48dB		More than 50dB	
Gamma Correction	0.45			
Auto Gain Control	Auto			
White Balance	Auto			
Video Output	1.0Vp-p75Ω			
Lens Mount	6.0mm Board Lens (4/8/12mm Optional)			
Power Supply	DC 12V/ 150mA (IR/ Fan/ Heater Off); DC 12V/ 1A (IR/ Fan On), (90-264VAC Power Optional)			
Power Consumption	2W (IR/ Fan/ Heater Off); 12W (IR/ Fan On)			
Heater	Optional (On at 0 °C, Off at 5 °C)			
Fan	Auto (On at 40 °C, Off at 25 °C)			
Operating Temperature	- 10°C ~ +50°C			
Operating Humidity	< 85%RH (no condensation)			
Outline Dimension (mm)	188 (D) x 103 (W) x 92 (H) mm			
Weight (g)	800g			

Outdoor 60M Box Type IR D/N Camera



Specification

Model	AIR-K600BTN-12X	AIR-K600BTP-12X	AIR-K650BTHN-12X	AIR-K650BTHP-12X
Image Device	1/3" SONY Super HAD CCD		High Res. CCD With SONY DSP	
Total Pixels	510 (H) × 492 (V)	500 (H) × 582 (V)	768 (H) × 494 (V)	752 (H) × 582 (V)
Scanning Frequency	15734Hz (H), 60Hz (V)	15625Hz (H), 50Hz (V)	15734Hz(H) 60Hz(V)	15625Hz(H) 50Hz(V)
Sync. System	Internal Sync., 2:1 Interlace			
Resolution	420 TV lines		520 TV lines	
Minimum Illumination	0.1 Lux (IR Off); 0 Lux (IR On), Color mode change to B/W mode under 5 Lux			
Electronic Shutter	Auto			
Backlight Compensation	Auto			
IR LED / Wavelength	120 Unit IR-LED, 850nm			
IR Working Distance	60M			
Water Resistant	IP 67			
Backlight Compensation	Auto			
S/N Ratio	More than 48dB		More than 50dB	
Gamma Correction	0.45			
Auto Gain Control	Auto			
White Balance	Auto			
Video Output	1.0Vp-p75Ω			
Lens Mount	12mm Board Lens (8/16mm Optional)			
Power Supply	DC 12V/ 150mA (IR/ Fan/ Heater Off); DC 12V/ 2A (IR/ Fan On), (90-264VAC Power Optional)			
Power Consumption	2W (IR/ Fan/ Heater Off); 24W (IR/ Fan On)			
Heater	Optional (On at 0 °C, Off at 5 °C)			
Fan	Auto (On at 40 °C, Off at 25 °C)			
Operating Temperature	- 10°C ~ +50°C			
Operating Humidity	< 85%RH (no condensation)			
Outline Dimension (mm)	283 (D) x 133 (W) x 121 (H) mm			
Weight (g)	2500g			