

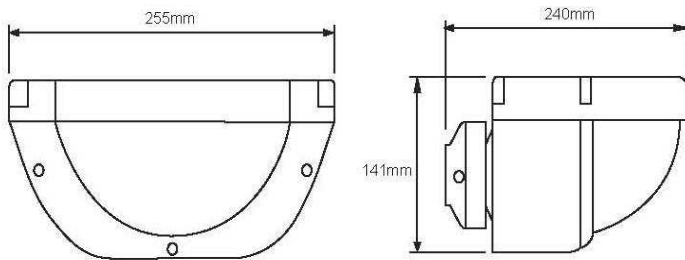
Outdoor Wide-Dynamic Day/Night IR Camera with Spot Light

Spot Light ↑



Dimension & Features:

- * 1/3" SONY DS CCD(SONY Effio)
- * Built-in f3.3~12mm Vari-focal Lens (9~22mm lens optional)
- * Equipped with true Day & Night camera, 600TVL WDR/OSD
- * Multi-layers Mirror coating PC or tempered glasses window available
- * IR camera embedded inside for 24 hours security surveillance
- * IR distance approach to 40~50M
- * 1300 Lux. upside LED spot light turns on automatically as night light
- * Intelligent mechanism design for camera angle 10° or 15° selectable by factory mode
- * 80-260 AC power in (optional AC24 power in)
- * Infrared LED adjustable
- * White spot LED adjustable
- * IP68 (build in heater) or IP44 (build in fan & heater)



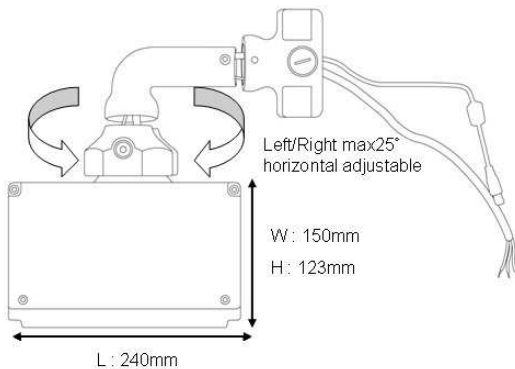
AIR-1000C(N/P)

Spot Light ↓



Dimension & Features:

- * 1/3" SONY DS CCD(SONY Effio)
- * Built-in f3.3~12mm Vari-focal Lens (9~22mm lens optional)
- * Equipped with true Day & Night camera, 600TVL WDR/OSD
- * Multi-layers Mirror coating PC or tempered glasses window available
- * IR camera embedded inside for 24 hours security surveillance
- * IR distance approach to 50~80M
- * 1100 Lux. downside LED spot light turns on automatically as night light
- * Camera/ IR LED angle adjustable (5/10/15 degree)
- * 80-260 AC power in (optional AC24 power in)
- * Infrared LED adjustable
- * White spot LED adjustable
- * IP68 (build in heater) or IP44 (build in fan & heater)



AIR-1000S(N/P)

DVR

Camera

IP

Accessories

WD

IR

D/N

ICR

Waterproof

PTZ

Specifications:

Electronic Specifications				
Model Number	AIR-1000SN	AIR-1000SP	AIR-1000CN	AIR-1000CP
IR Light Distance	Around 50~80 Meters		Around 40~50 Meters	
IR LED Quantity	12 pieces		10 pieces	
IR Light Switching	Photo Diode Sensor Control		Photo Diode Sensor Control	
Infrared Beam Angle	45°			
LED spot light (downward)	LED 7 pieces / 1100 Lux. / 1 Meter		LED 16 pieces / 1300 Lux. / 1 Meter	
Power Input	AC24V (+/-10%) or AC80~260V			
Power consumption	Max.45 Watts (IR LEDs & Spot LEDs On)		Max.54 Watts (IR LEDs & Spot LEDs On)	
Heater Control	First Heater : 18°C (On) / 28°C (Off), Second Heater (option): 0°C (On) / 10°C (Off)			
Blower Control	35°C (On) / 25°C (Off)			
Environmental Operation Temp.	-45°C ~ +50°C / 30~90% RH			
Protection Level	IP68 or IP44 with Blower			
Temper Glass Thickness	4 mm			
Mounting Bracket	Fully-Cable Managed			
Construction / Coating	Die-Cast Aluminum Alloy / Ivory Powder Stove			
Net Weight	3350 Gm		4150 Gm	
Power Source	80~260AC input (AC24 input Optional)			

Camera Specifications				
Lens	Vari-focal Manual & Auto IRIS IR Lens 3.3~12 or 9~22mm			
Lens Mount	Board mount back focus adjustment			
Image Device	1/3" Color Sony CCD sensor			
System / Picture Elements	768(H) x 494(V)	752 (H) x 582(V)	768(H) x 494(V)	752 (H) x 582(V)
Horizontal resolution	Minimum 600 TV lines			
Rating current	350mA			
Video Output	VBS1 Vp-p at 75Ω/ITU 656			
S/N Ratio	56dB(min)			
AGC	Auto Gain 36dB			
Color/Mono Switching	Synchronized with IR on/off			
Frame Integration	30			
Wide Dynamic Range	52dB			
IR Accuracy	No focus shift in the night time			
Auto IRIS Lens Type	AES / DC-IRIS			
Shutter Control	ALC 1/ 60 Sec or flick 1/100 Sec			
Backlight Compensation	Auto Gain 36dB			
White Balance	ATW (2500°k-9000°k) / AWB			
Digital Noise Reduction	3D, Auto			
Gamma Correction	0.45/1.00			
Minimum Illumination	0.001 LUX at F=1.0 (Video output 30IRE, AGC on)			