

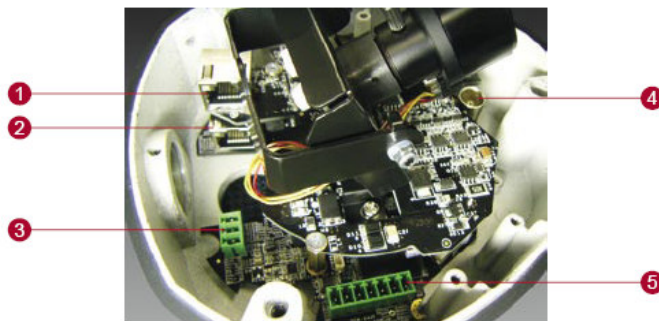


AIC-7300 Series MPEG-4 Outdoor IP Fixed Dome Camera



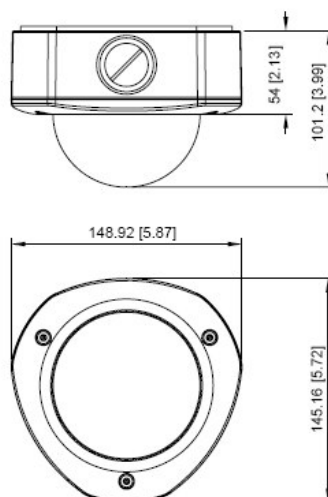
Main Features:

- 1/3" SONY SuperHAD / EXviewHAD CCD with 440K/380K pixels, 520 Horizontal TV Lines
- Min. 0.008 Lux at F=1.5 (30 IRE, AGC ON, Frame integration ON)
- BLC, Auto Iris Control, AWB supported
- Heavy-duty, Weather proof and vandal proof with IP66
- Surface, Flush and Wall mount supported
- MPEG-4 ASP compliant compression
- CIF up to Full D1 resolution at 30/25 FPS
- Dual MPEG-4 video stream output via LAN and WAN ports at the same time
- QoS enabled (L3) video streaming
- Two-way audio supported
- Power Over Ethernet (IEEE 802.3af) supported (AIC-73x1), or AC 24 V power source supported (AIC-73x2)



- ① LAN port
- ② WAN port
- ③ Power input
- ④ Composite video output
- ⑤ Audio & digital input/output

DIMENSION DIAGRAM



Unit: mm [inch]

Product Specification

		AIC-7300	AIC-7320
Image	Device	1/3" SONY SuperHAD CCD	1/3" SONY EXviewHAD CCD
	Effective Pixels (HxV)	768 x 494 (NTSC); 752 x 582 (PAL)	
	Horizontal Resolution	520 TVL	
	Multi-stream	Up to 4 configurable frame rate/bit rate stream for preview and recording	
Min. scene Illumination	Color	0.1 Lux at F1.5	0.03 Lux at F1.5
	B/W	N/A	0.008 Lux at F1.5
	IR Sensitivity	N/A	0 Lux IR LED ON
Lens	Focal Length	3.3 ~ 12 mm	
	Lens Mount	Board lens	
Camera Angle Adjustment	X (Panning)	± 150°	
	Y (Tilting)	90° (The adjust angle of vision 0° ~ 77°)	
Synchronization	Sync. System	Internal / Line-lock (AIC-73x2)	
Day/Night Functions	Day/Night Switching	N/A	Lens with IR Cut Filter: Auto
Functions	Motion Detection	Yes (3 windows)	
	Electronic shutter	1/60 ~ 1/120,000 sec. (NTSC); 1/50 ~ 1/120,000 sec. (PAL)	
	BLC	Auto detect ON/OFF	
	AGC	Auto (turbo / normal)	
	White Balance	ATW, AWB	
	Frame Integration	8X (standard) ON/OFF	
	Mirror	Horizontal/Vertical ON/OFF	
	Auto iris control	Electrical / Lens IRIS (DC control)	
S/N Ratio	S/N Ratio	Better than 50 dB (AGC off)	
Video (Compression)	Compression	MPEG-4 ASP compliant	
	Picture Resolution	Full D1, CIF, QCIF	
	Bit Rate	28 K ~ 3M bps	
Video Output	Composite Output	CVBS, 1.0Vp-p with 75 Ω loading, BNC connector	
Audio Input	Compression	8kHz, Mono, PCM	
	Audio Line Input	Unbalanced, 1.4 Vp-p, 1Vrms, terminal block	
Audio Output	Compression	8kHz, Mono, PCM	
	Audio Line Input	Unbalanced, 1.4 Vp-p, 1Vrms, terminal block	
Alarm	Input	1, TTL, terminal block	
	Output	1, TTL, terminal block	
Casing	IP66 standard	Weatherproof casing with IP66 standard	
	Vandal Proof	Vandal proof supports, durability up to 702 KgF	
Network	LAN/WAN Port	Ethernet(10/100 Base-T), RJ-45 Connector	
	Protocol	TCP, UDP, RTP, RTSP	
Operating	Heater	Yes (AIC-73x2)	
	Temperature	-10 ~ 50 °C (14 ~ 122 °F)/-30 ~ 50 °C (-22~ 122 °F) (AIC-73x2)	
Power	Power Requirement	DC 12 V ±10% (AIC-73x0); PoE (IEEE802.3af) with Class 3 (AIC-73x1); AC 24 V ±10% (AIC-73x2)	
	Power Consumption	9 W	
Physical	Dimensions (ØxH)	148.92 mm x 101.2 mm (5.87" x 3.99")	
	Weight	1,145 g (2.5lb)	

Ordering Information

Part Number	NTSC	PAL	Day & Night	DC12V	DC12V+PoE	DC12V / AC24V
AIC-7300N	V			V		
AIC-7300P		V		V		
AIC-7301N	V				V	
AIC-7301P		V			V	
AIC-7302N	V					V
AIC-7302P		V				V
AIC-7320N	V		V	V		V
AIC-7320P		V	V	V		
AIC-7321N	V		V		V	
AIC-7321P		V	V		V	
AIC-7322N	V		V			V
AIC-7322P		V	V			V